

Cartridge Filter, Stationary

Art. No.: 83 200 101



Technical Data

| Filter | |
|------------------------------------|---------------------------|
| Filter stages | 1 |
| Filter method | Cleanable filter |
| Filter cleaning method | Rotating nozzle |
| Filter surface | 8 m ² |
| Type of filter | Filter cartridge |
| Filter material | ePTFE membrane |
| Filter efficiency | > 99.9 % |
| Dust classification | M |
| Basic data | |
| Extraction capacity | 2 x 700 m ³ /h |
| Max. fan performance | 3000 m ³ /h |
| Dimensions (w x t x h) | 655 x 655 x 1355 mm |
| Weight | 189 kg |
| Motor power | 1.5 kW |
| Power supply | 3 x 400 V / 50 Hz |
| Rated current | 3.5 A |
| Noise level | 71 dB(A) |
| Additional information | |
| Fan type | Radial fan |
| Compressed air supply | 5 - 6 bar |
| Quantity of extraction arms | 2 |
| Exhaust arm type | flexible exhaust arm |
| Diameter extraction arm | 150 mm |
| Length of exhaust arm | 3 m |
| Compressed air reservoir | 25 l |
| Capacity Dust collection container | 11 l |

Applications

- High levels of smoke and particles
- Non-stop operation
- Two exhaust arms available

Benefits

- High efficiency due to automatic filter cleaning
- Less need to adjust the exhaust arm due to flow-optimised exhaust hood design
- Best health protection for employees by use of KemTex® ePTFE filter cartridges with surface filtration
- Low air consumption due to differential pressure-controlled cleaning
- Space-saving solution due to two extraction arms
- Possibility of working in two alternating places due to dampers in the extraction hood

Properties

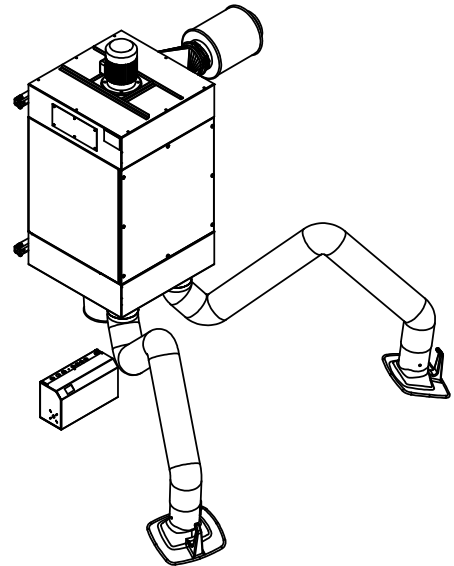
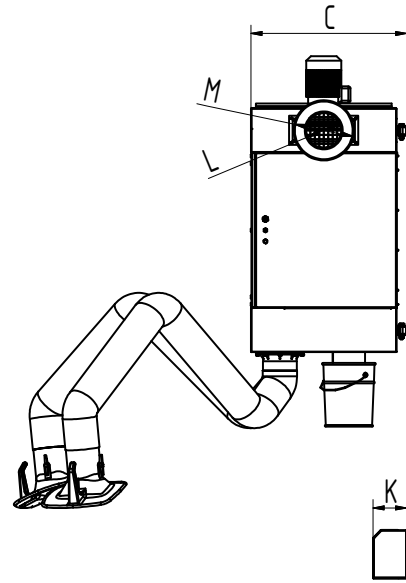
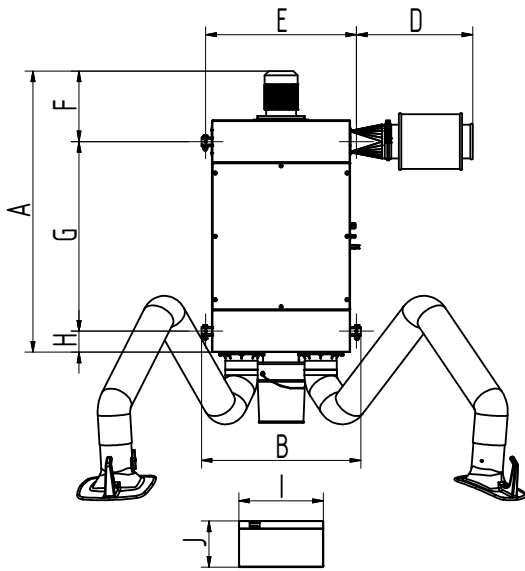
- 360 degrees rotating exhaust hood with damper
- Automatic filter cleaning, pressure-controlled
- KemTex® ePTFE filter cartridges
- Automatic Start-Stop (optional)
- Lighting in the hood (optional)
- Arm from 5 m with boom
- Available with two arms
- Silencer
- Control box

Accessories

- Automatic start-stop
- Workplace lighting incl. on/off switch at the hood



Suitable for alveole exchangeable dusts
separation > 99 % of particles < 0.4 µm



Technical Data

Dimensions

| | |
|---|---------|
| A | 1332 mm |
| B | 755 mm |
| C | 701 mm |
| D | 551 mm |
| E | 715 mm |
| F | 337 mm |
| G | 898 mm |
| H | 97 mm |
| I | 400 mm |
| J | 218 mm |
| K | 151 mm |
| L | 158 mm |
| M | 271 mm |