

GUARDIAN^{50M / 50FM} AIR KIT

Air-Purifying Respirator System



Customer benefits



Operating time up to 8 hours
(Standard Battery)



Fast & easy filter change



For perfect airflow setting
in 6 levels



99.8 % particle free
breathing air



Visual and audible
warning system



Shoulder harness for high
wearing comfort (optional)

GUARDIAN AIR



Guardian^{50M} Air Kit
with Guardian^{50M} Air:

- » ADF: Shade 4, 9-13, 50 x 100 mm
- » CE classification 1/1/1/2



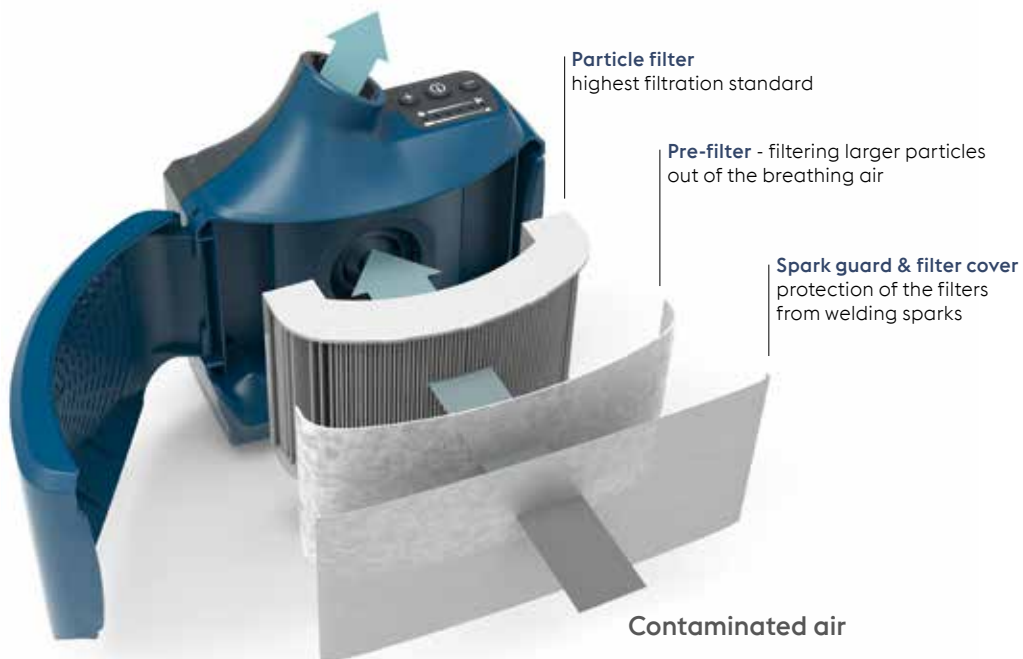
Guardian^{50FM} Air Kit
with Guardian^{50FM} Air:

- » ADF: Shade 4, 5-9/9-13, 50 x 100 mm
- » CE classification 1/1/1/2
- » Flip-up mechanism for grinding



Guardian Air Kit
(Complete Blower Kit)

99,8 % particle free air



Features

- » Particle filter (P R SL)
- » EN 12941 protection class TH3 in combination with Guardian^{50M / 50FM / 62 / 62F} Air (welding helmets prepared for air) and Big Vision Air (grinding visor prepared for air)
- » Operating time: Up to 8 h for the standard battery 5.200 mAh
- » Charging time: 4 - 6 hours
- » Flow rate 180 - 220 l/min - adjustable at 6 levels
- » Visual and audible warning for insufficient airflow (below 170 l/min) and/or low battery charge
- » Universal charger
- » Weight: 870 g (including battery, assembled filter)

Guardian Air Kits		MOQ*	Art.No
Guardian^{50M} Air Kit	Ready to use kit: Guardian Air Kit with Guardian ^{50M} Air welding helmet in a comfortable bag	1 pc.	86615
Guardian^{50FM} Air Kit	Ready to use kit: Guardian Air with Guardian ^{50FM} Air flip-up welding helmet in a comfortable bag	1 pc.	86644
Guardian Air Kit (Complete Blower Kit w/o helmet)	Ready to use kit including motor unit, flexible air hose, standard battery, universal charger, comfort belt, particle filter, pre-filter, spark guard and airflow tester	1 pc.	86692

* MOQ (Minimum order quantity)

HEADTOPS FOR THE USE WITH GUARDIAN AIR (PAPR SYSTEM)



Guardian^{50M} Air



- » Welding helmet (matt)
- » ADF: Shade 4, 9-13
- » External shade adjustment knob
- » Grind mode button
- » 50 x 100 mm - True Colour
- » EN 379 classification 1/1/1/2

86669

Guardian^{50FM} Air



- » Flip-up welding helmet (matt)
- » ADF: Shade 4, 5-9/9-13
- » Internal grind mode setting
- » 50 x 100 mm - True Colour
- » EN 379 classification 1/1/1/2

86682

Guardian⁶² Air



- » Welding helmet (glossy)
- » ADF: Shade 4, 5-9/9-13
- » Grind mode button
- » 62 x 98 mm - True Colour
- » EN 379 classification 1/1/1/2

57007

Guardian^{62F} Air



- » Flip-welding helmet (glossy)
- » ADF: Shade 4, 5-9/9-13
- » Grind mode button
- » 62 x 98 mm - True Colour
- » EN 379 classification 1/1/1/2

57029

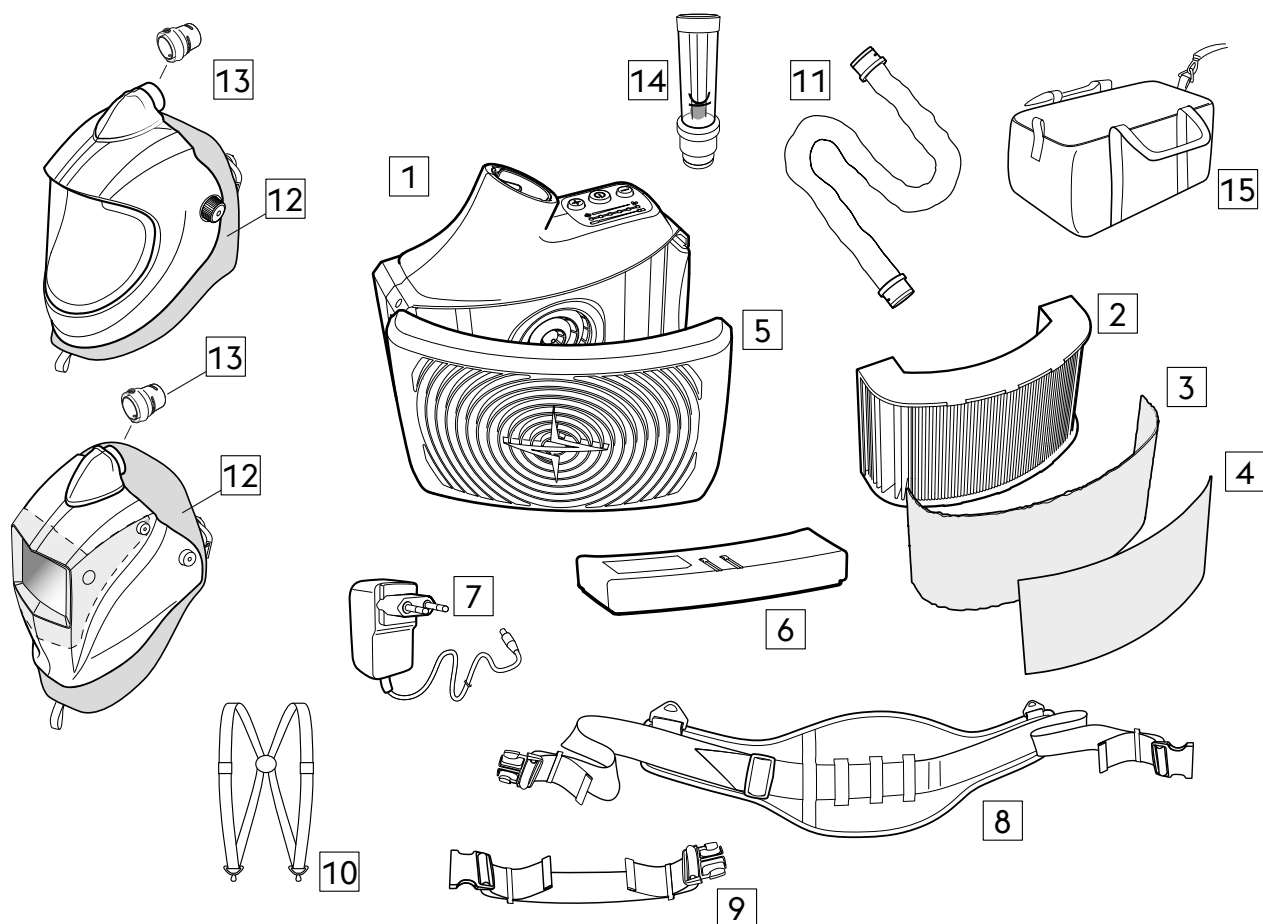
Big Vision Air



- » Grinding visor (glossy)
- » 180 x 160 mm viewing area

73314

SPARE PARTS



No.	Description	Art. No.
1	Guardian Air Motor unit	86668
2	Particle filter P R SL (4 pieces)	86645
3	Pre-filter (Guardian Air) (10 pieces)	86655
4	Spark guard (Guardian Air)	86704
5	Filter cover (Guardian Air)	86657
6	Standard battery (5.200 mAh)	86660
6	Heavy-duty battery (7.800 mAh)	57075
7	Universal charger	57081
8	Comfort belt	57144
8	Leather comfort belt	75685

No.	Description	Art. No.
9	Comfort belt extension (265mm)	64255
10	Shoulder harness	57146
11	Flexible air hose (90-125 cm)	57065
11	Standard air hose - non-flexible (100 cm)	64915
12	Face-seal for Guardian Air (welding helmets) + Big Vision Air	57182
13	Air duct (on headtop)	87143
14	Air flow tester	57184
15	BÖHLER Bag (blue)	57186
15	Böhler bag (black)	86702